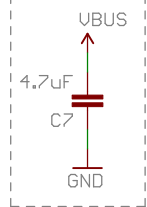
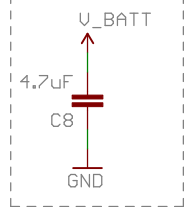


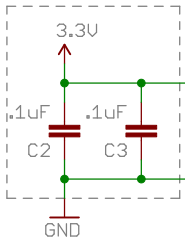
Charge Circuit Bypass



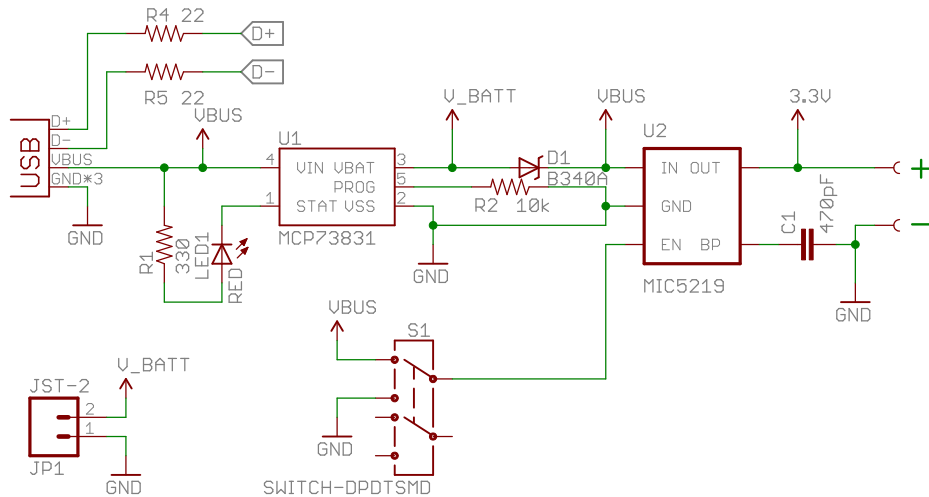
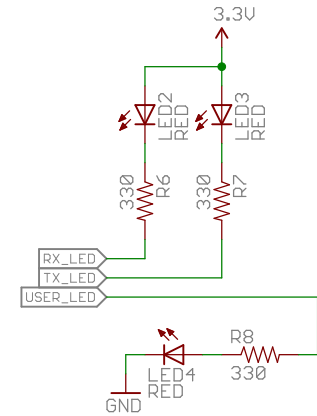
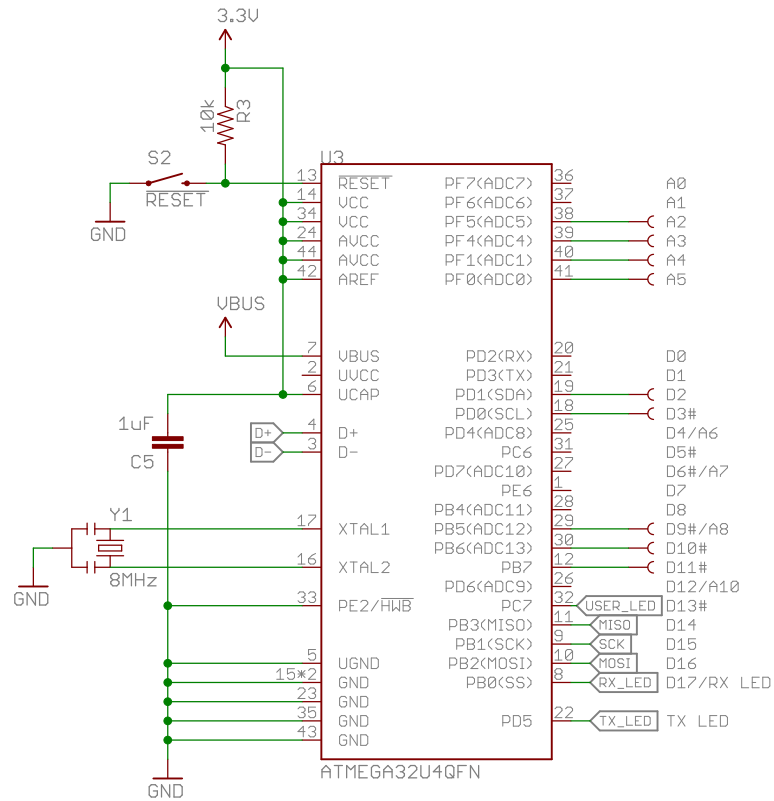
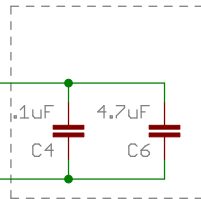
Battery Input Bypass



32u4 BYPASS



MIC5219 BYPASS



Original Lilypad Design by:
L. Buechly and N. Seidle

Lilypad
Lilypad

Released under the Creative Commons Attribution Share-Alike 3.0 License
<http://creativecommons.org/licenses/by-sa/3.0>

TITLE: Lilypad_32u4_v10

Design by: Mike Hord

REV:
10

Date: 11/1/2012 9:55:41 AM

Sheet: 1/1